

# Metal Detector: Technical Questionnaire

## Customer Information

Company:

Address:

Contact name:

Email:  Phone:

## Metal Detector Information

- Retrofit |  New installation |  Replace existing metal detector

If replacing an existing metal detector, please advise below?

Metal detector brand:

Sensing face width:

Metal detector application type?

Belt conv. |  Vibratory conv. |  Whole log |  Eng. wood |  Other:

Other, please specify?

## Metal Detector Application

What equipment will the metal detector be protecting?

Where will the metal detector be installed?  Indoors |  Outside

Where will the control cabinet be installed?  Indoors |  Outside

## Conveyor/Application Information

Conveyor belt width   inch |  mm

Existing fiberglass section?  Yes  Length?  No

Is the conveyor balanced? \*Vibratory conv. only  Yes  No

## Material Specifications

Type of material being handled?

Material size max  $\varnothing$  or load/bed depth?

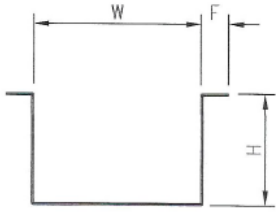
What type of metal is a of concern?

What is the smallest size of metal that is to be detected?

|  |   |
|--|---|
|  |   |
|  | <input type="checkbox"/> mm <input type="checkbox"/> inch |
|  | <input type="checkbox"/> mm <input type="checkbox"/> inch |
|  |   |

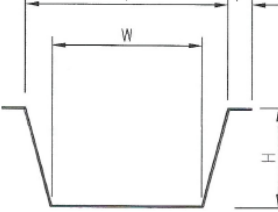
## Trough Shapes or Conveyor Profile

\*Only applicable to conveyor applications.



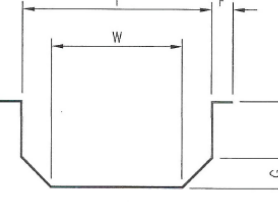
**A - Dimensions**

|   |  |
|---|--|
| W |  |
| H |  |
| F |  |



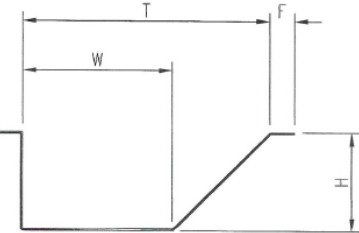
**B - Dimensions**

|   |  |
|---|--|
| T |  |
| W |  |
| H |  |
| F |  |



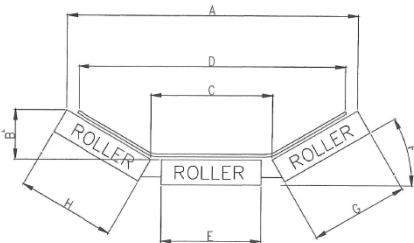
**C - Dimensions**

|   |  |
|---|--|
| T |  |
| W |  |
| G |  |
| H |  |
| F |  |



**D - Dimensions**

|   |  |
|---|--|
| T |  |
| W |  |
| H |  |
| F |  |



**Troughing Conveyor**

|         |  |
|---------|--|
| A       |  |
| D: Belt |  |
| C       |  |
| B       |  |
| F       |  |
| H       |  |
| E       |  |
| G       |  |

Signature \_\_\_\_\_

Date \_\_\_\_\_